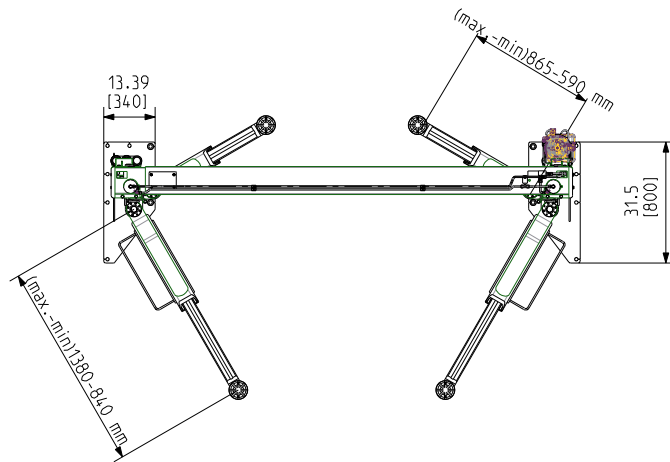
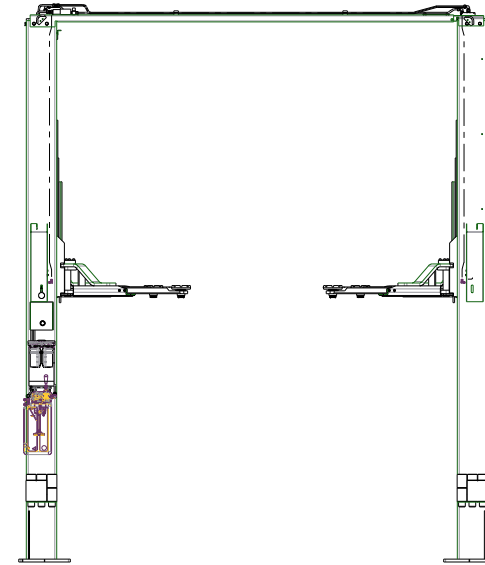
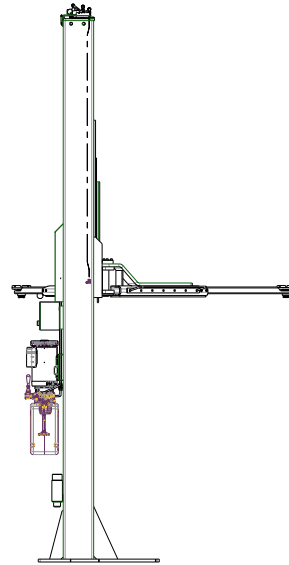
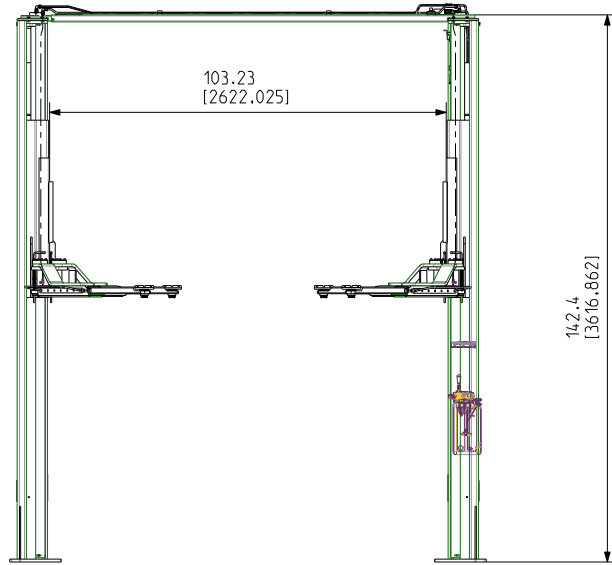


SPL10.000M-HL SHORT  
 3S ARMS  
 TELESCOPIC TRAVERSE



LIFTING HEIGHT MAX: 72-4/5"  
 MIN: 4-11/32"  
 (ADAPTER ONLY)

				ALL DIMENSIONS IN INCHES (in mm) INTERPRET DRAWING PER ASME Y14.5-1994		scale: 0.030		weight: 4667.925 lbs	
						materials / seminished TELESCOPIC TRAVERSE; RISE HEIGHT 72-4/5"			
				Datum		Name		Naming	
				editor 9/22/17		JTS		SPL10.000 HF MANUAL	
				review					
				norm					
				Nussbaum		Drawing number		sheet	
						SPL10000M-HF		1	
								of 4	
nr	revision	date	name	origin	Replacement for:		Replacement by:		