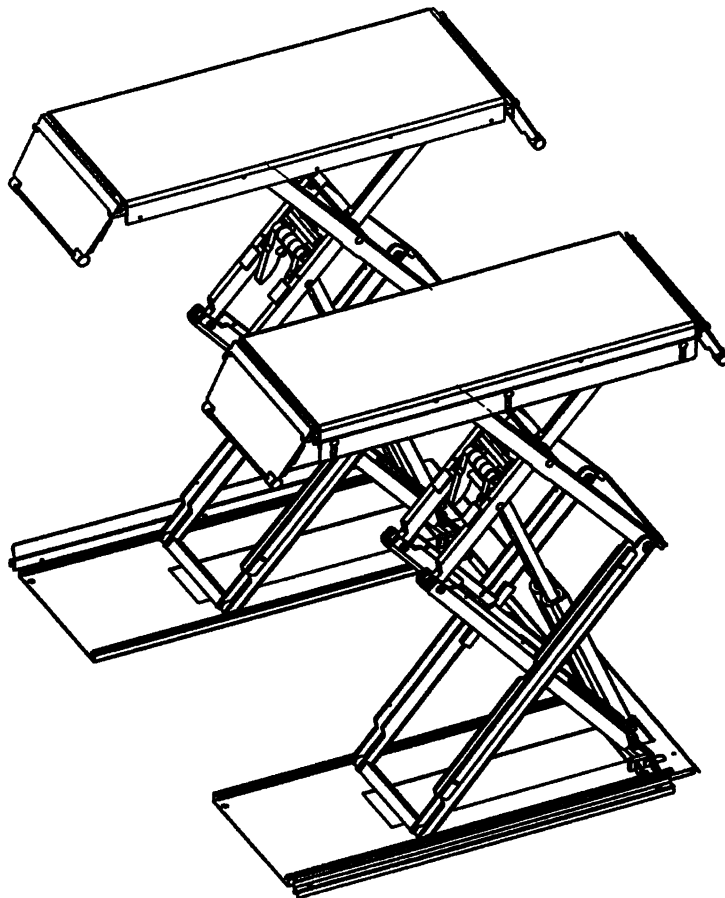


# **TURBBAUM**

## **HEBETECHNIK**

### **Jumbo-Lift 2500 II**

valid: June 1996



### **spare parts list**

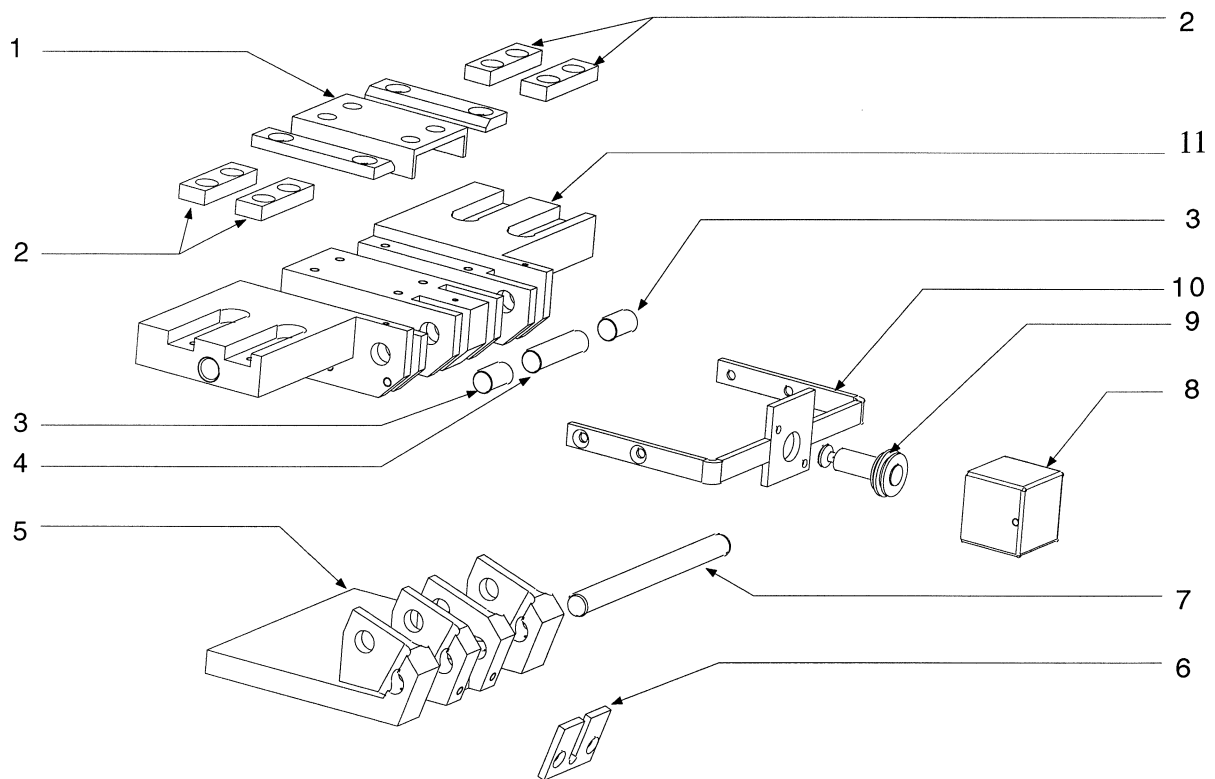
- general view
- system of safety device
- sliding bearings
- seal set of hydraulic cylinder
- rails, foot-protection
- command unit
- hydraulic and pneumatic hoses



**Spare parts list of general view (continuation)**

<b>Nr.</b>	<b>Description</b>	<b>Code</b>
1	ramp, welding piece	025JL08020
2	bolt for clap, welding piece	025JL08050
3	carrying arm, welding piece	025JL08030
4	rail, welding piece	025JL08001
5	bolt	025JL09031
6	hand rejector	025JL09028
7	bolt for siding block (top)	025JL06085
8	bolt for fixed bearing (top)	025JL08019
10	scissors outside, welding piece	025JL26074
11	bolt of cylinder lever	025JL06057
12	middle bolt (top)	025JL06028
13	scissors connection I	025JL06080
14	cylinder hanging up, mill-piece	025JL06053
15	scissors inside (lower side), welding piece	025JL06030
16	forcing plate	025JL06010
17	scissors connection II	025JL06083
18	base plate, welding piece	025JL05001
19	finger safety, outside scissors	025JL09035
20	foot rejector	025JL09023
21	fixing for foot rejector	025JL09026
22	roller	025JL06026
23	outside scissors (lower side), welding piece	025JL06003
24	connection cylinder bolt	025JL06041
25	bolt of fixed bearing	025JL05012
26	cylinder 1 slave side	025JL02031
27	cross-connection of fixed bearing	025JL05043
28	bolt of cylinder (lower side)	025JL02018
29	covering of cylinder	025JL29020
30	covering	025JL09014
31	cylinder 1 master side	025JL02001
32	cylinder 2 master side	025JL02002
33	inside scissors (top) welding piece	025JL26064
34	finger rejector	025JL09038
35	middle bolt (lower side)	025JL06027
X:	system of safety device (refer to following page!)	

#### system of safety device (View "X" of general view)

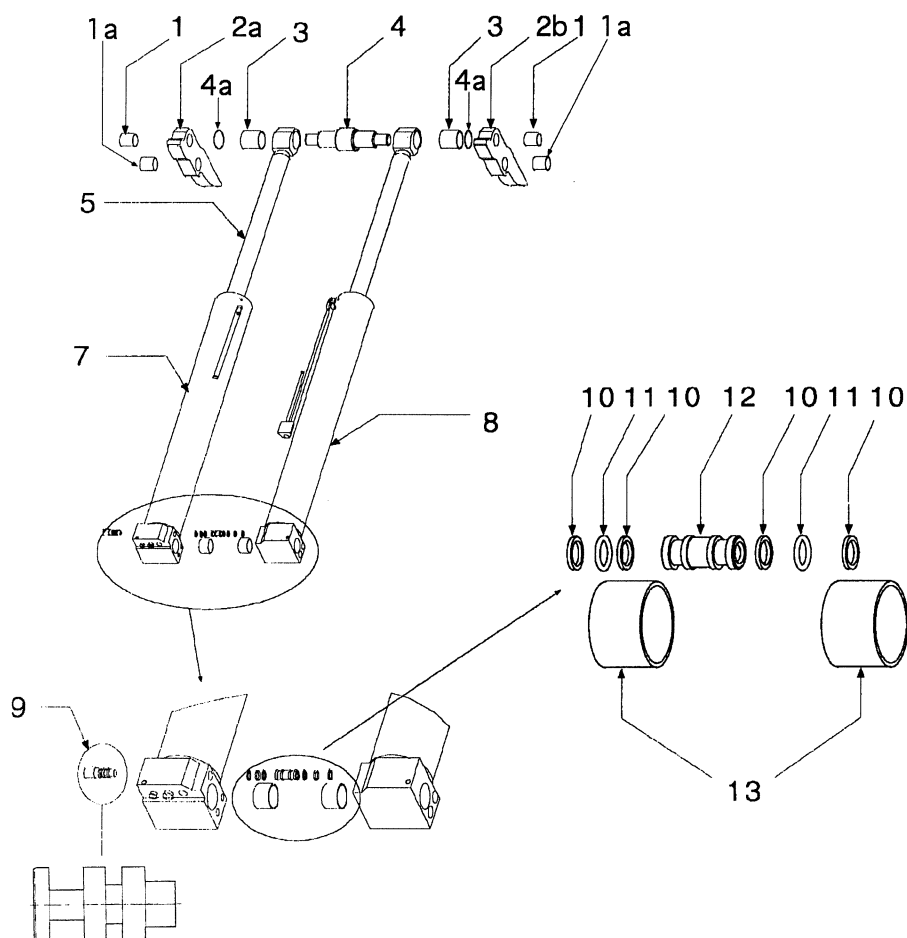


Nr.	Description	Code
1	guiding	025JL06023
2	sliding block	025JL06031
3	bolt of ratchet (1)	025JL10 036
4	bolt of ratchet (2)	025JL10 033
5	ratchet, mill-piece	025JL10 002
6	square	025JL10 016
7	bolt of ratchet (3)	025JL10 018
8	box of pneumatic cylinder	960008
9	pneumatic cylinder	025JL10040
10	support of cylinder, welding piece	025JL06090
11	support of sliding block (ratchet)	025JL06025

**Spare parts list of sliding bearings**

<b>Nr.</b>	<b>Description</b>	<b>location of the bearing</b>	<b>Code</b>
1	DU-bearing (4 pieces) PAP 2020 P10	roller	970065
2	DU-bearing (4 pieces) PAP 2015 P10	roller	970167
3	DU-bearing (8 pieces) PAP 1615 P10	inside scissors top position	970569
4	DU-bearing (8 pieces) PAP 2010 P10	inside scissors lower position	970460
5	DU-bearing (4 pieces) PAP 2030 P10	outside scissors top position	970457
6	DU-bearing (8 pieces) PAP 2515 P10	outside scissors lower pos.	970459
7	DU-bearing (4 pieces) PAP 2525 P10	inside scissors lower position	970456
8	DU-bearing (8 pieces) PAP 2530 P10	cylinder hanging-up	970478
8a	DU-bearing (4 pieces) PAP 2825 P10	cylinder hanging-up	970718
9	DU-bearing (8 pieces) PAP 2520 P10	outside scissors top position	970458
10	DU-bearing (4 pieces) PAP 1615 P10	fixed bearing top position	970569

## hydraulic cylinder



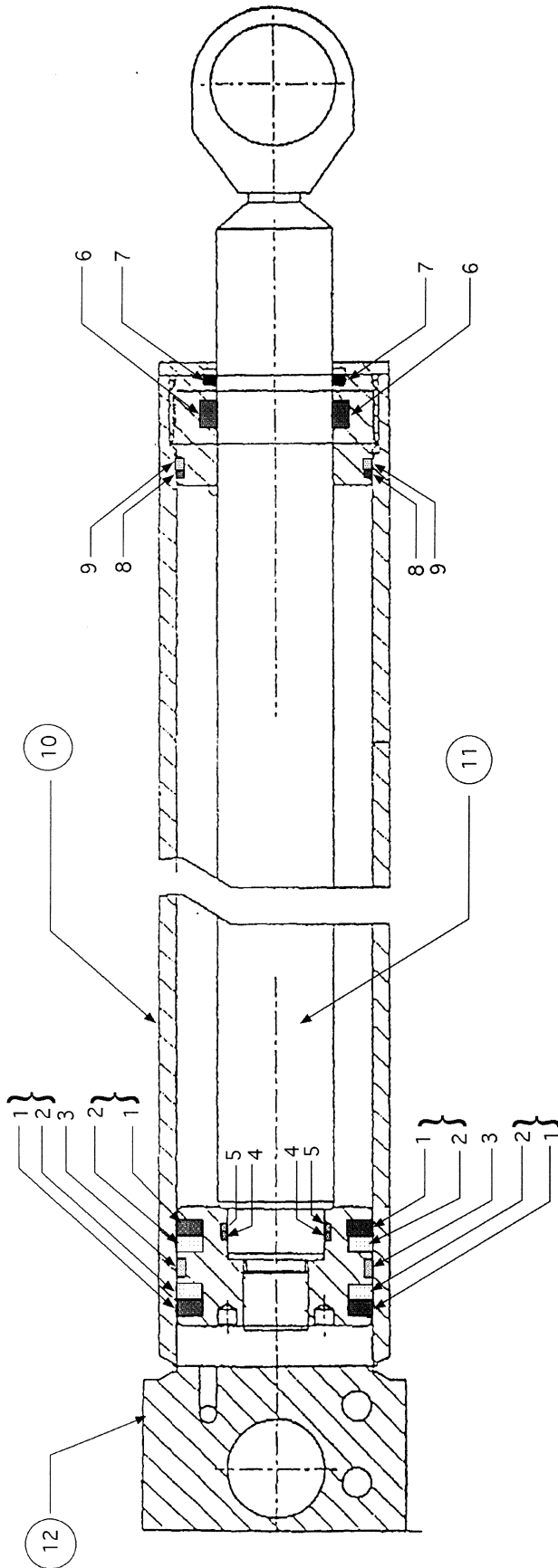
### Nr. Description

- 1 slide bearing PAP 2825 P10
- 1a slide bearing PAP 2530 P10
- 2a cylinder hanging up
- 2b cylinder hanging up
- 3 slide bearing PAP 3540 P10
- 4 cylinder bolt (top)
- 4a yellow brass ring
- 5 piston rod, welding piece
  
- 7 master side cylinder 1  $\varnothing$  80
- 8 master side cylinder 2  $\varnothing$  80
  
- 7 slave side cylinder 1  $\varnothing$  70
- 8 slave side cylinder 2  $\varnothing$  70
  
- 9 unlocking piston with seals
- 10 back-up ring SG 9.1-12-1,4 P
- 11 O-ring
- 12 adapter piece
- 13 slide bearing PAP 2820 P10

### Code

- 970718
- 970478
- 025JL06053
- 025JL06054
- 970397
- 025JL02012
- 025JL02014
- 025JL02008
  
- 025JL02001
- 025JL02002
  
- 025JL02031
- 021JL02032
  
- 025JL02083
- 990889
- 012-8307
- 025JL02010
- 970570

## seals of hydraulic cylinder master side / slave side



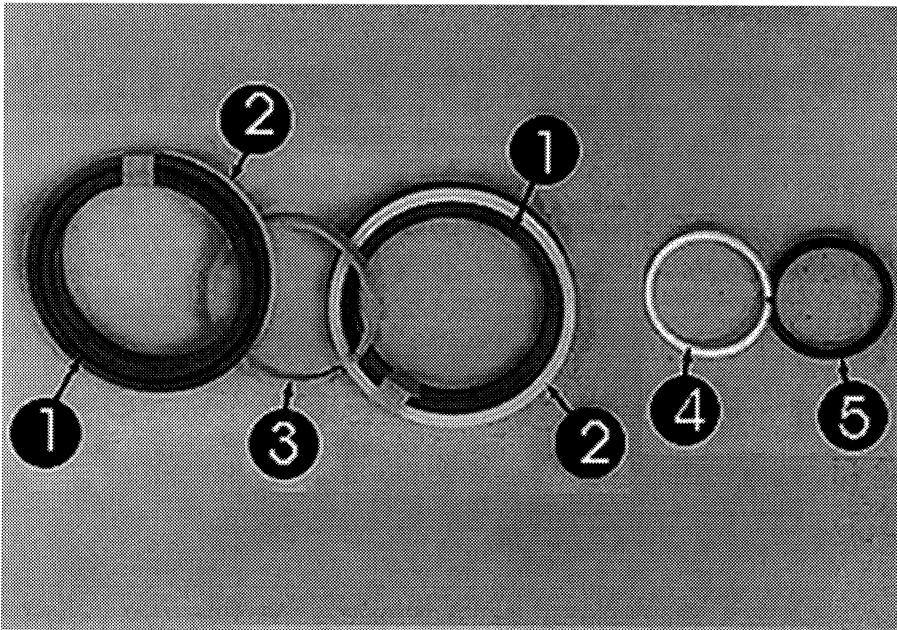
### seals of master cylinder (2 cylinders!)

Nr.	Description	Code
1	U-cup } piston seal compl.	980858
2	Stützring	
3	rotating band of piston	980878
4	back-up ring ins. of piston	980505
5	O-ring inside of piston	980118
6	U-cup of guide bush	980879
7	wiper ring of guide bush	980852
8	O-ring of guide bush	980270
9	back-up ring of guide bush	980890
10	cylinder of slave side	cyl. 1: 025JL02001 cyl. 2: 025JL02002
11	piston rod	025JL02008
12	bottom of cylinder	cyl.1: 025 JL02003 cyl.2: 025 JL02005

### seals of slave cylinder (2 cylinders!)

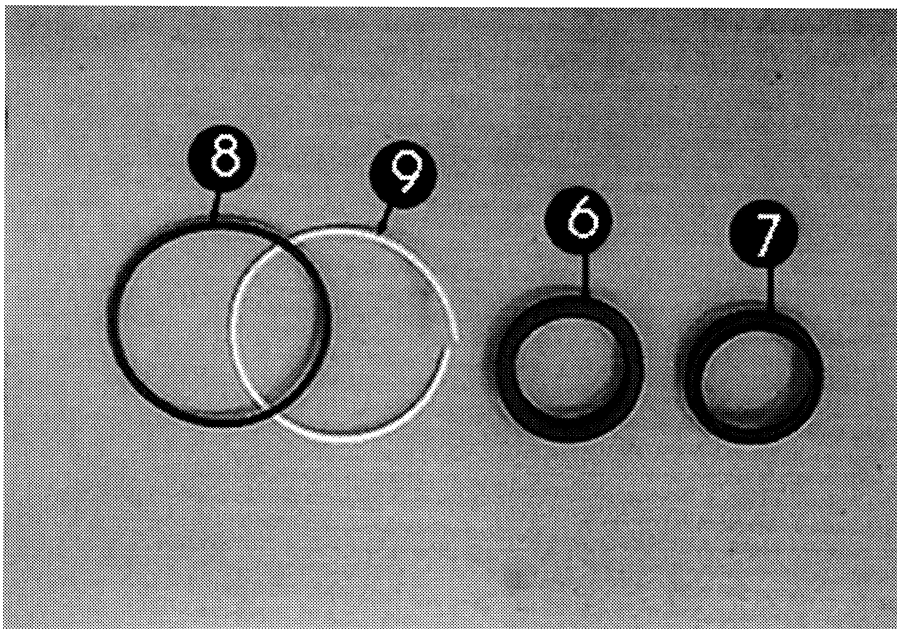
Nr.	Description	Code
1	U-cup } piston seal compl.	980914
2	Stützring	
3	rotating band of piston	980869
4	back-up ring ins. of piston	980505
5	O-ring inside of piston	980118
6	U-cup of guide bush	980879
7	wiper ring of guide bush	980852
8	O-ring of guide bush	980264
9	back-up ring of guide bush	980885
10	cylinder of slave side	cyl. 1: 025JL02031 cyl. 2: 025JL02032
11	piston rod	025JL02008
12	bottom of cylinder	cyl.1: 025 JL02033 cyl.2: 025 JL02035

**seals of hydraulic cylinder (supplementing photos)**



**photo 1:**  
seals of piston

**numbering**  
see page 7!

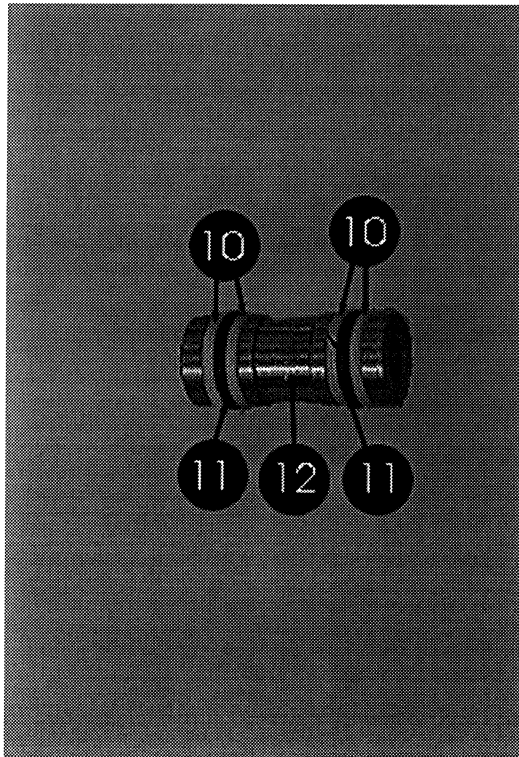


**photo 2:**  
seals of guide bush

**numbering**  
see page 7!

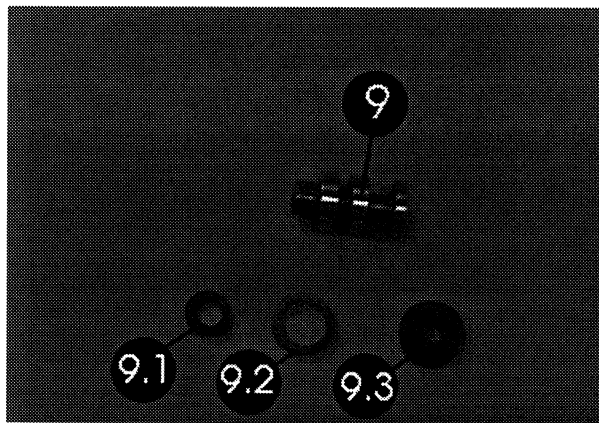


**seals of hydraulic cylinder (supplementing photos)**



**photo 3:**  
seals of adapter piece

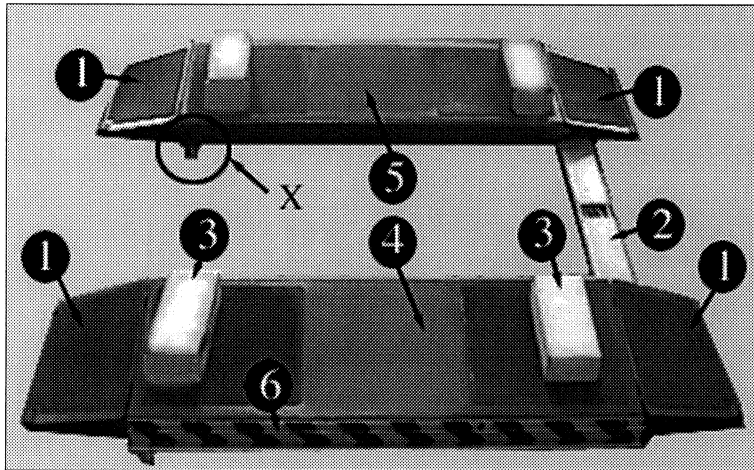
**numbering**  
**see page 6!**



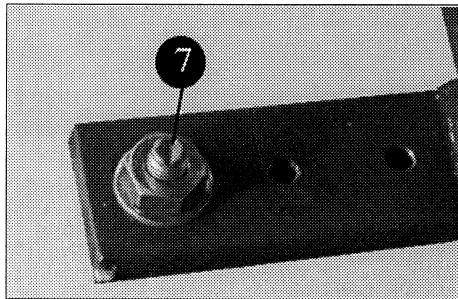
**photo 4:**  
unlocking piston

**numbering**  
**see page 6!**

### Rails, foot-protection

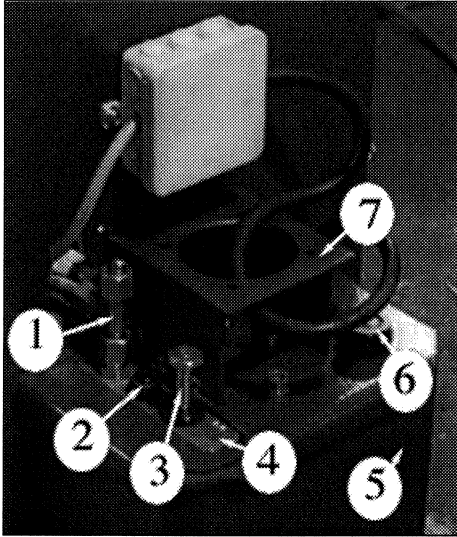


Picture 1: rails



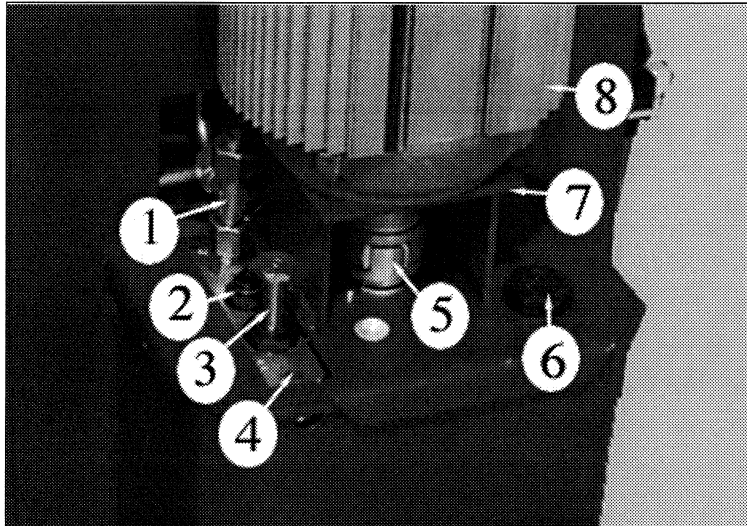
Picture 1a: View "X" from picture 1

Nr.	Description	Code
1	ramp	025JL08020
2	covering between rails	025JL09014
3	synthetic support	970207
4	drive-on rail slave-side	025JL08001
5	drive-on rail master-side	025JL08001
6	foot-protection	025JL09023
7	doweling B15 (refer to instruction and documentation)	LIEBIG

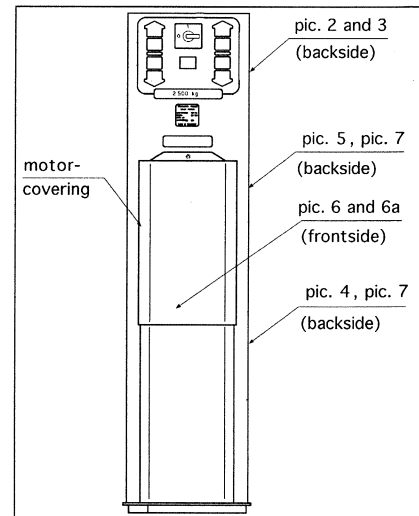


**Picture 2:** Emergency lowering screw: sub-oil motor

Nr.	Description	Code
1	male stud run tees 15-3-25-L10RB	980440
2	holding valve	980166
3	electrical controlled hold. valve	without funct.
4	emergency lowering screw	marked red
5	oil-tank	
6	oil-level gage	980098
7	pump carrier	030ULN01037



**Picture 2a:** Emergency lowering screw: motor 2,0 kW



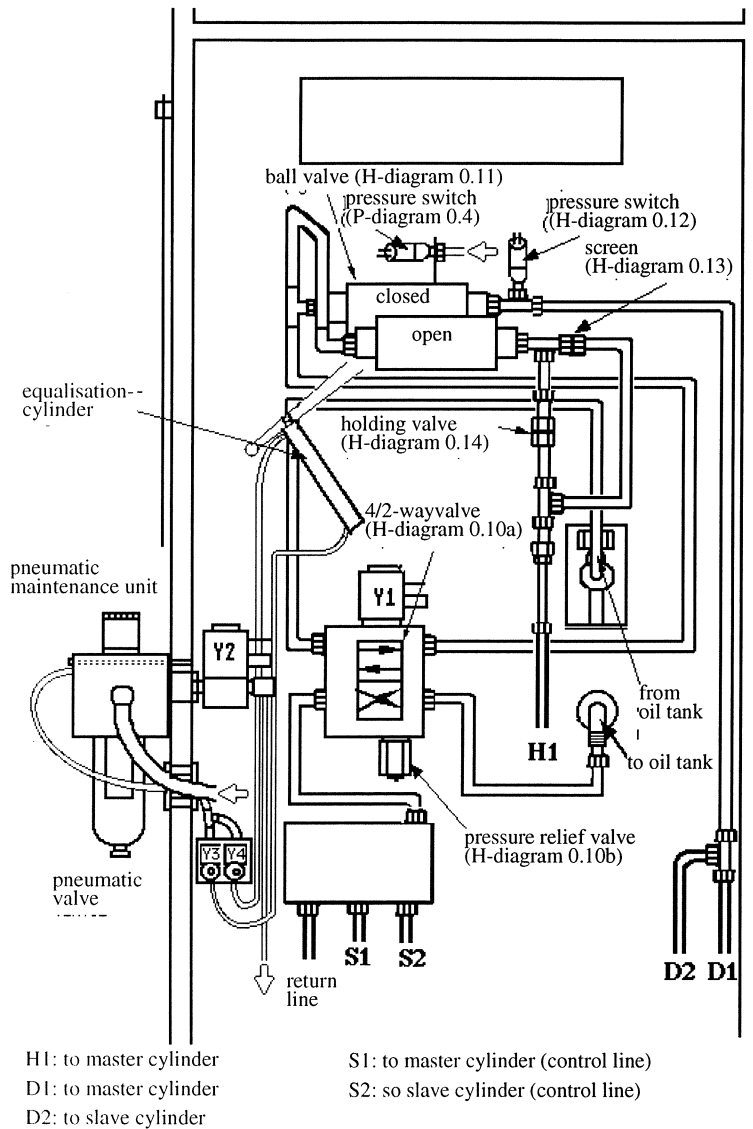
#### Nr. Description

1	male stud run tees 15-3-25-L10RB
2	holding valve
3	electrical controlled hold. valve
4	emergency lowering screw
5	pump 3 ccm
6	oil-level gage
7	pump carrier
8	motor type 3 kW; 18LK-897

#### Code

980440
980166
without funct.
marked red
980485
980098
030ULN01037
990344

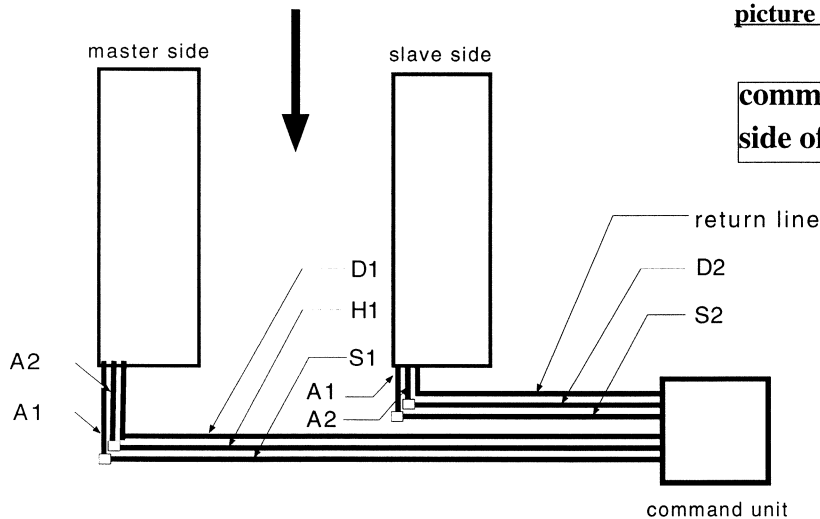
### hydraulic and pneumatic hoses



**picture 3:** connection of hydraulic and pneumatic hoses in the command unit backside. Position of equalisation valve

Nr.:	Description	Code
0.12:	pressure switch	980371

drive-on direction



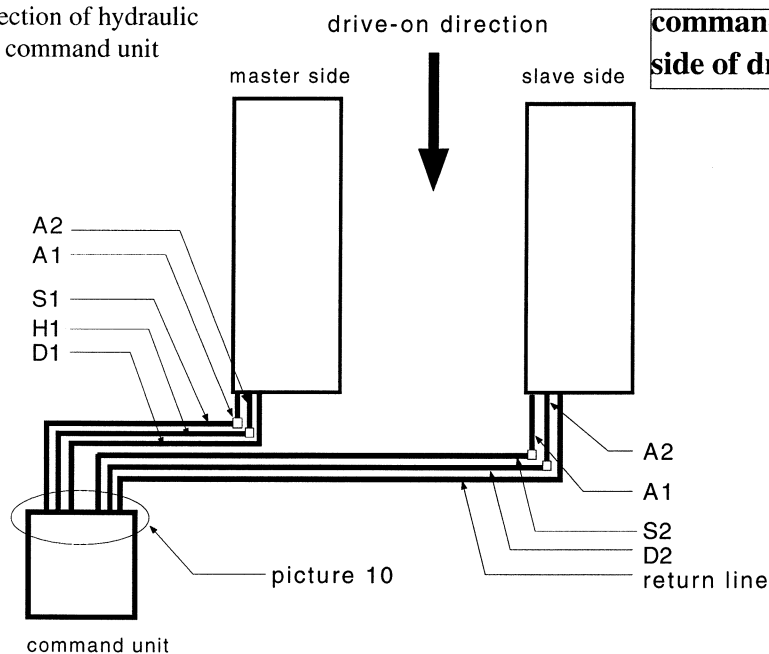
**picture 4:** connection of hydraulic lift - command unit

**command unit located at left side of drive-on direction**

## Hydraulic hoses: command unit located at left side of drive-on direction

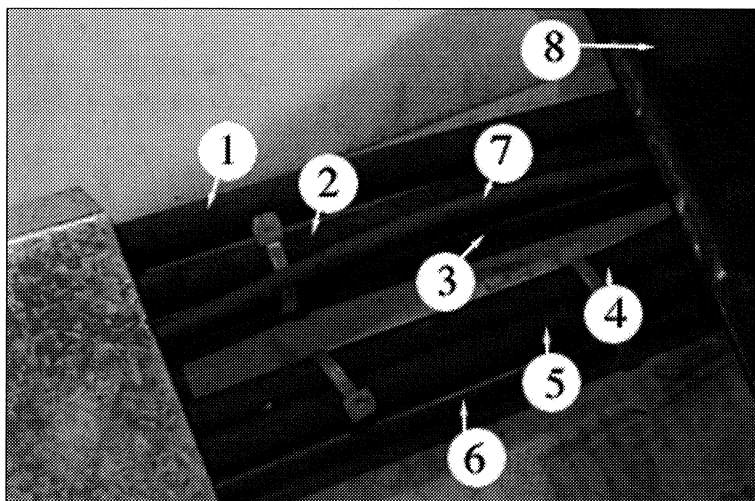
S1:	NW 6; 3900 mm; 2x straight-fitting
S2:	NW 6; 2400 mm; 2x straight-fitting
H1:	NW 6; 4300 mm; 2x straight-fitting
D1:	NW 6; 4850 mm; 2x straight-fitting
D2:	NW 6; 2650 mm; 2x straight-fitting
return line:	NW 6; 3550 mm; 2x straight-fitting
A1:	Adapter to cylinder: NW 6; 450 mm; outside thread M 12 x 1,5
A2:	Adapter to cylinder: NW 6; 350 mm; outside thread M 12 x 1,5

**pict. 5:** connection of hydraulic lift - command unit



## Hydraulic hoses: command unit located at right side of drive-on direction

S1:	NW 6; 2400 mm; 2x straight-fitting
S2:	NW 6; 3900 mm; 2x straight-fitting
H1:	NW 6; 2650 mm; 2x straight-fitting
D1:	NW 6; 3550 mm; 2x straight-fitting
D2:	NW 6; 4300 mm; 2x straight-fitting
return line:	NW 6; 4850 mm; 2x straight-fitting
A1:	Adapter to cylinder: NW 6; 450 mm; outside thread M 12 x 1,5
A2:	Adapter to cylinder: NW 6; 350 mm; outside thread M 12 x 1,5



**Picture 6:** hoses at bottom of command unit

<b>Nr.</b>	<b>Description</b>	
1	hydraulic hose (connection return line):	slave side
2	hydraulic hose (connection D2):	slave side
3	hydraulic hose (connection S2):	slave side
4	hydraulic hose (connection D1):	master side
5	hydraulic hose (connection H1):	master side
6	hydraulic hose (connection S1):	master side
7	pneumatic hose	
8	command unit bottom	